

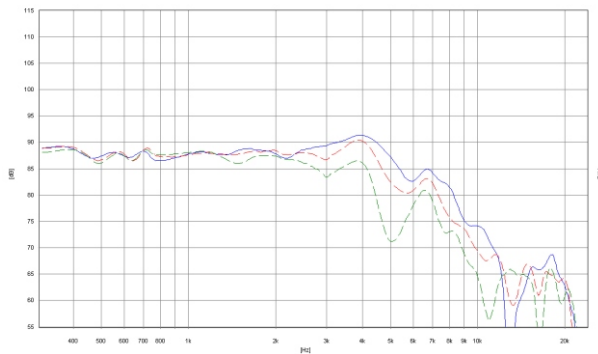
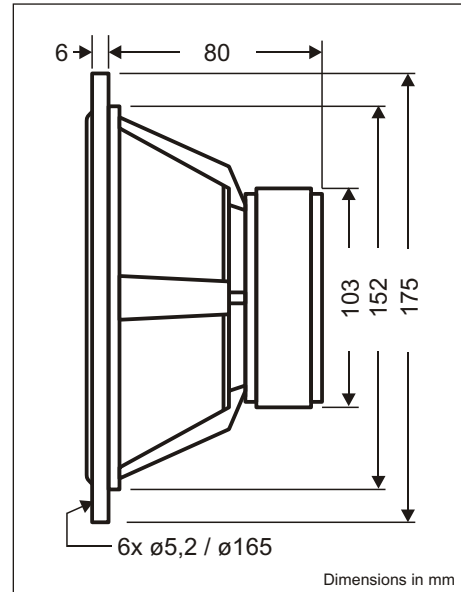
Symphony

Ein 160er Tief-Mitteltöner mit Kapton-Spulenträger, wurde für höchste Ansprüche entwickelt.

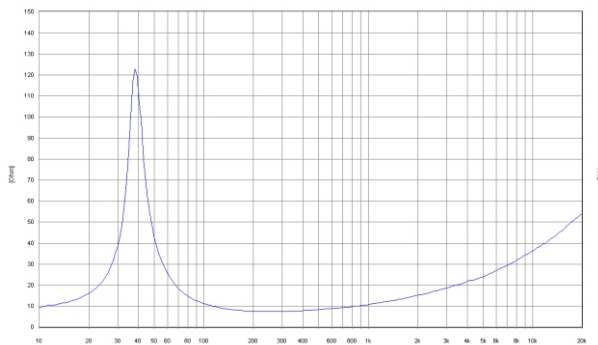
Eine dreischichtige Hexacone-Sandwich-Membrane bekannt für ihre hervorragenden akustischen Eigenschaften ist die beste Voraussetzung für eine authentische Musikwiedergabe.

Advanced high end 7-inch lower midrange driver with capton voice coil former, designed for upper bass and lower midrange performance. Can be used for 2-way systems, too.

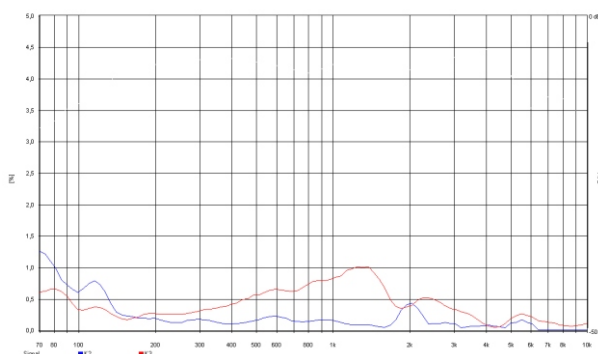
For the hexacone sandwich diaphragm a three-layer sandwich cone is used for extra rigidity and small weight. It impresses by a totally realistic sound reproduction.



The frequency responses measured free field sound pressure in 0, 15 30 degrees angle using endless baffle. Input 2,83 VRMS, microphone distance 1 m



Impedance is measured free air without baffle.



Distortion 1 Watt.

Nominal impedance	Z_n	8	
DC resistance	R_e	6.6	
Resonance frequency 1W	f_r	33	Hz
Resonance frequency TS-parameter-meas.	f_r	39	Hz
Suspension compliance	C_{MS}	1.00	mm/N
Mechanical Q	Q_{MS}	5.61	
Electrical Q	Q_{ES}	0.32	
Total Q	Q_{TS}	0.30	
Mechanical resistance	R_{MS}	0.72	kg/s
Total moving mass (including air mass)	M_{MD}	16.23	g
Effective piston area	S_D	137	cm ²
Voice coil diameter		32	mm
Voice coil former		Kapton	
Voice coil length		17	mm
Voice coil layers		1	
Voice coil inductance	L_e	0.92	mH
Flux density	B	1.0	Tesla
Force factor	$B_L \times l$	9.17	Tm
Height of the gap		8	mm
Diameter of magnet		102	mm
Height of magnet		22	mm
Weight of speaker		1.9	kg
Characteristic SPL 1 Watt / 1 m		89	dB SPL
Rated power		80	W
Equivalent air vol. of suspension	V_{AS}	26.37	dm ³

ETON reserves the right to change technical data

07/20