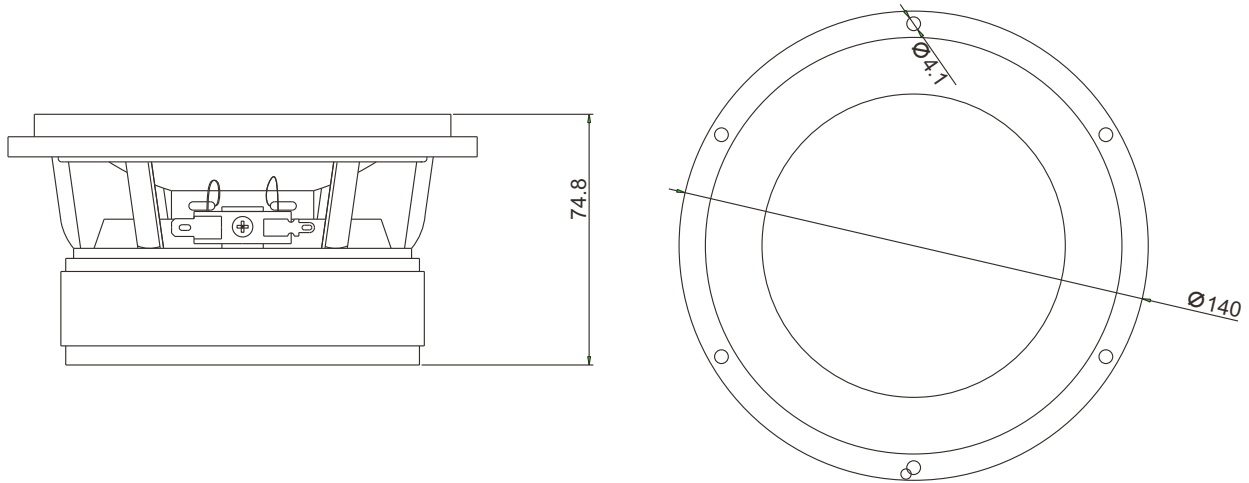


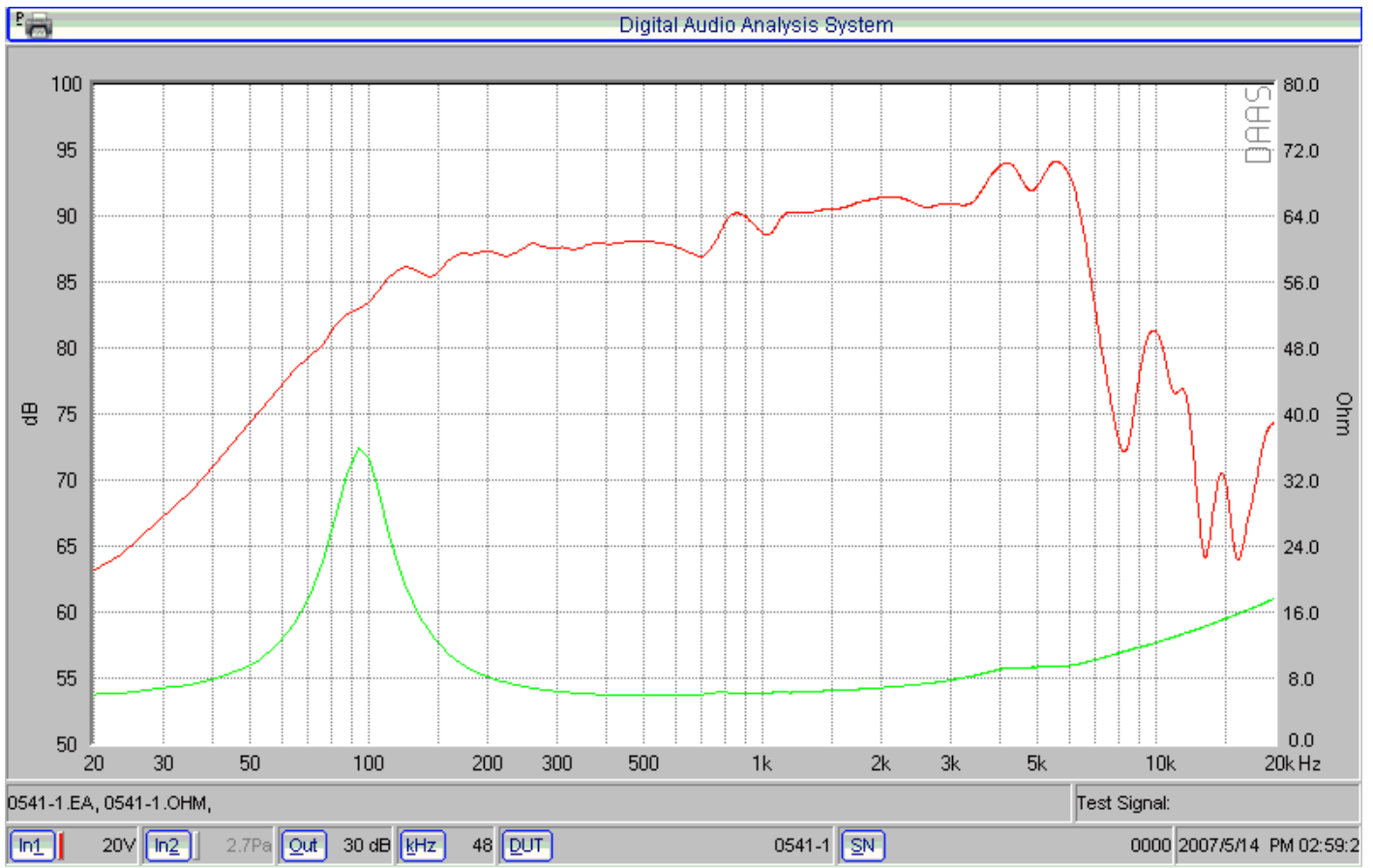
# 0541A

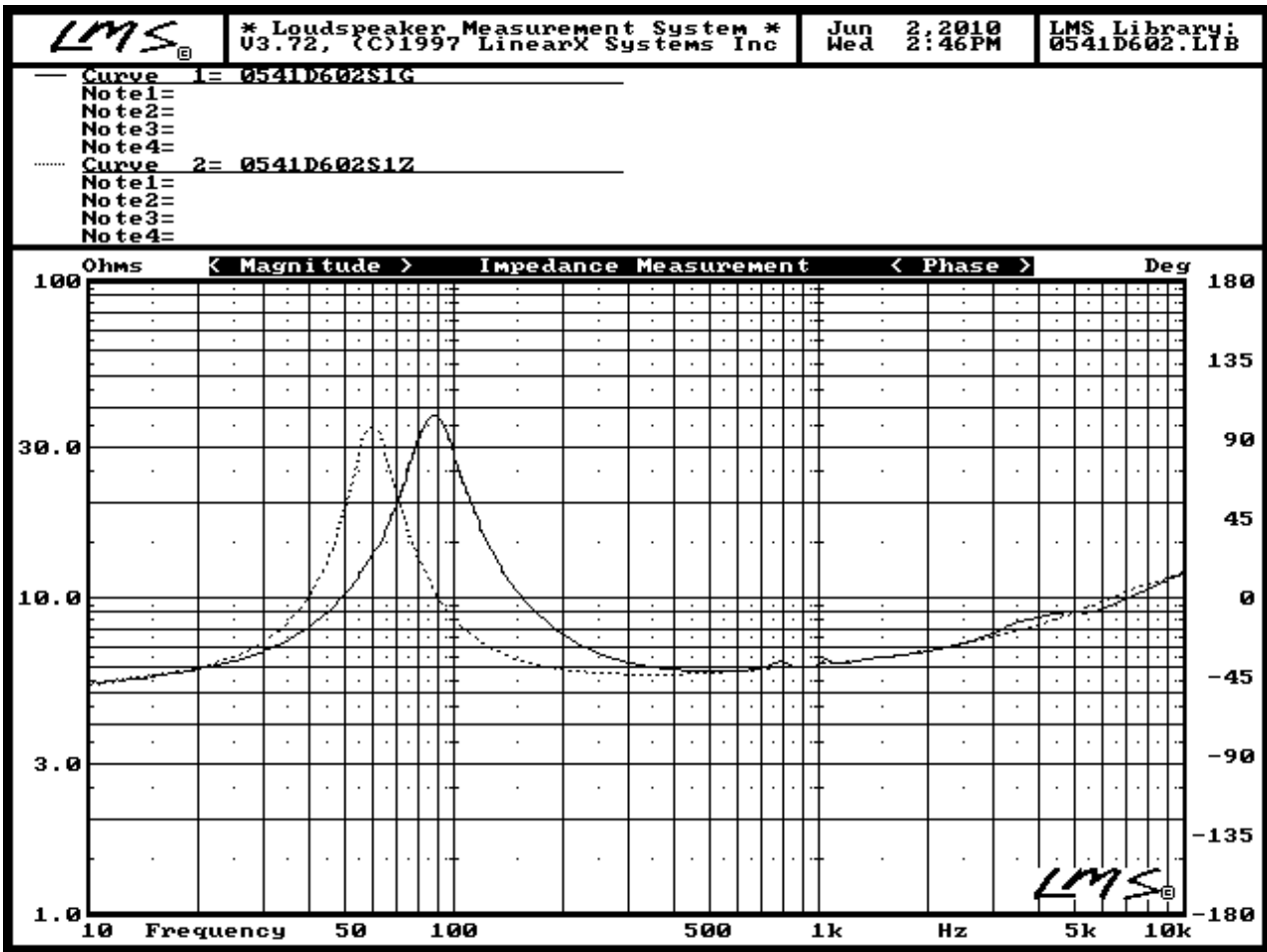
## WOOFER 5 Inch Driver



### Specifications

<b>Nomial Impedance</b>	8Ω ± 15% at 1.0V 1KHz
<b>VC Nominal Dia</b>	ϕ 42mm
<b>Lowest Resonance Frequency</b>	FO=92Hz ±5Hz at 1.0V
<b>Effective Frequency Range</b>	FO ~ 6KHz - 10dB 1M/1W
<b>Output Sound Pressure Level</b>	87dB/W/M ±3dB 500,600,700,800Hz AVE
<b>Input</b>	Rated Input 40W , Maximum Input 50W
<b>Flux Density</b>	12.43K ±10% GUASS
<b>Buzz &amp; Rattle Test</b>	5.0V
<b>Polarity</b>	POSITIVE - (LEFT) HAND TERMINAL
<b>Baffle Opening</b>	99mm
<b>Magnet Dimenion / Weight</b>	110 x 50 x22(mm) / 793g
<b>Weight</b>	1800g
<b>Dropping Test</b>	1150mm 75° ± 2°
<b>Znom</b>	8 Ω
<b>Revc</b>	5.2 Ω
<b>Krm</b>	1.78 mΩ
<b>Kxm</b>	3.778 mh
<b>Erm</b>	0.708
<b>Exm</b>	0.68
<b>Sd</b>	0.0075 sqm
<b>BL</b>	7.2471 tm
<b>Vas</b>	2.4845 Litr
<b>Cms</b>	311.0361 um/n
<b>Mms</b>	10.1622 Gram
<b>Mmd</b>	9.7887 Gram
<b>Fi</b>	87.919 Hz
<b>Fo</b>	89.520 Hz
<b>Qms</b>	3.529
<b>Qes</b>	0.566
<b>Qts</b>	0.488
<b>Pmx</b>	40 Wrms
<b>Hvc</b>	9 mm
<b>Hag</b>	4 mm
<b>Xmx</b>	2.5 mm
<b>Cmx</b>	2.5 mm
<b>Cmo</b>	1
<b>θVc</b>	6.14 C/W





```

=====
TSL Entry Num: 1      | SPLo= 86.87 dB | SPLi= 86.55 dB | SPLi= 88.42 dB|
TSL File Name:0541D602  | = 0.31 % | = 0.28 % | @ Eg= 2.83 V |
Name : 0541D602S1      Rem= 0.87 Ω Lem= 0.231 mH @ 1KHz
Model: Speaker- Woofer/ Midrange      Rem= 7.29 Ω Lem= 0.089 mH @ 20KHz
=====

Znom= 8.000 Ω      Sd= 0.0075 sqM      Fi= 87.919 Hz      Hvc= 9.0000 mM
Revc= 5.200 Ω      BL= 7.2471 TM      Fo= 89.520 Hz      Hag= 4.0000 mM
Krm= 1.780 mΩ      Vas= 2.4845 Litr      Qms= 3.529        Xmx= 2.5000 mM
Kxm= 3.778 mH      Cms= 311.0361 uM/N      Qes= 0.566        Cnx= 2.5000 mM
  Erm= 0.708        Mms= 10.1622 Gram      Qts= 0.488        Cmo= 1.0000
Exm= 0.680         Mmd= 9.7887 Gram      Pmx= 40.000 Wrms  θVc= 6.2500 C/W
=====

```