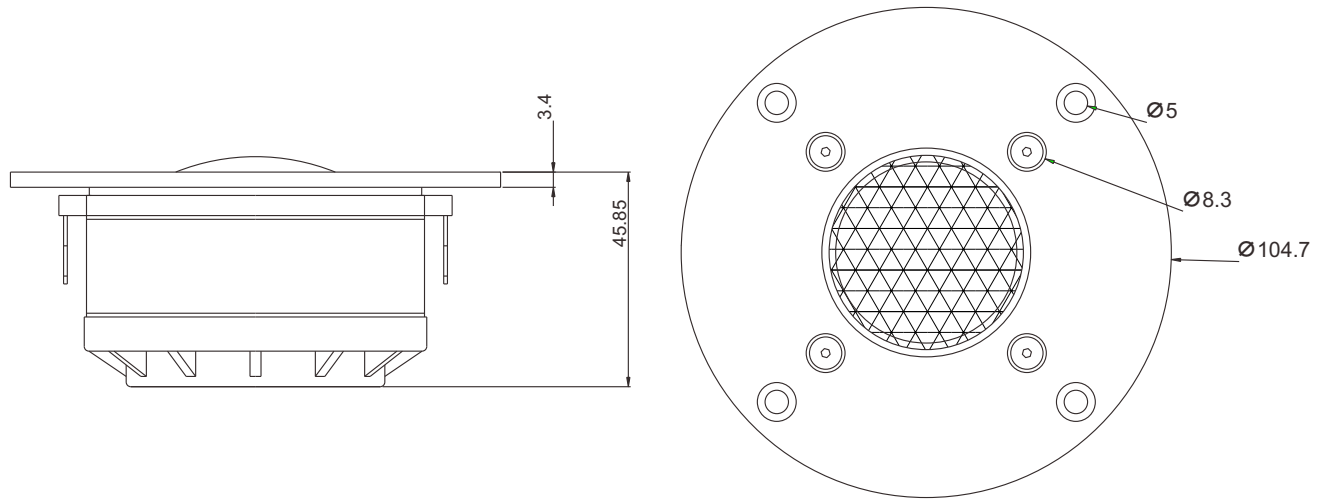


# 9980-20DMD

**TWEETER**  
1 Inch Driver



## Specifications

<b>Nomial Impedance</b>	4Ω ± 15% at 1.0V 1KHz
<b>VC Nominal Dia</b>	φ 28mm
<b>Lowest Resonance Frequency</b>	FO=600Hz ±15% at 1.0V
<b>Effective Frequency Range</b>	FO ~ 40KHz
<b>Output Sound Pressure Level</b>	88dB/W/M ±3dB 3,4,5,6KHz AVE
<b>Input</b>	Rated Input 10W , Maximum Input 20W
<b>Flux Density</b>	11.1K ±10% Gauss
<b>Buzz &amp; Rattle Test</b>	3.0V
<b>Polarity</b>	POSITIVE -RED LABEL TERMINAL
<b>Baffle Opening</b>	φ 33mm
<b>Magnet Dimenion / Weight</b>	72 x 32 x 20(mm) / 320g
<b>Weight</b>	710g
<b>Dropping Test</b>	1150mm 75° ± 2°

